



## Super Compact Current Transducer

This new Hall Effect Current Transducer allows us to considerably upgrade the performance of our traditional range, bringing the performance of our low cost open loop sensors very close to the performance of closed loop sensors without compromising size.

*Maximum Ratings (TA = 25 °C)*

Parameter	Symbol	Value	Unit
Operating temperature	TA	-40 to +125	°C
Storage temperature	Tstg	-40 to +150	°C
Supply voltage	Vs	10.5	V
Measured current	Im	No flux limit	A



## Characteristics

( $T_A = 25^\circ\text{C}$ ,  $V_S = 5\text{V}$ )

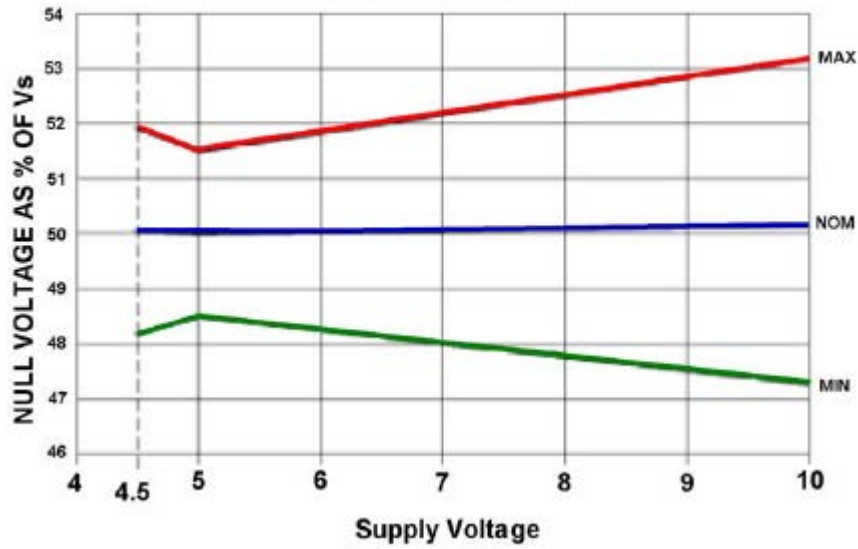
Parameter	Symbol	Lower Limit	Typical	Upper Limit	Unit
Supply current	$I_S$		7	8.7	mA
Supply voltage	$V_S$	4.5	5.0	10.5	V
Null output $V_S = 5.00\text{V}$	$V_O$	2.425	2.5	2.575	V
Transfer function (per turn)	$\Delta V/I$	Specification can be adjusted to specific needs from 7mV/A to 22mV/A for sensors rated from 100A to 300A			mV/A
Linearity ( $\pm 80\text{AT}$ )			1.0	2.0	%
Hysteresis (0 to 50AT)	$H_{ys}$		0.2	0.4	%
Null drift due to temperature change	TC $\Delta V_O/V_O$		$\pm 0.08$	$\pm 0.8^*$	mV/k
Gain change due to temperature change	TCG			-0.01 to +0.06	%/K
Risetime (0 to 20A)	$t_r$		5		$\mu\text{s}$
Frequency response (-3db)			120		kHz

1. Tighter specification units available on request.

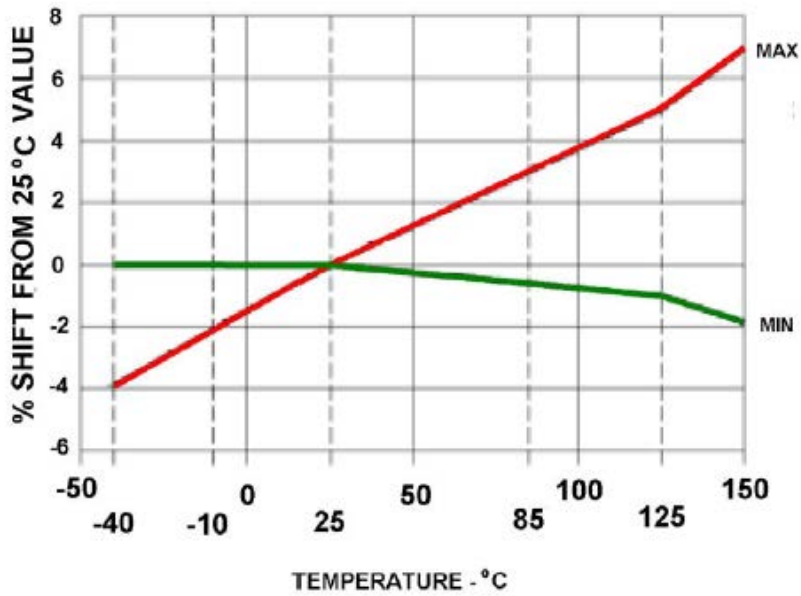


Characteristics

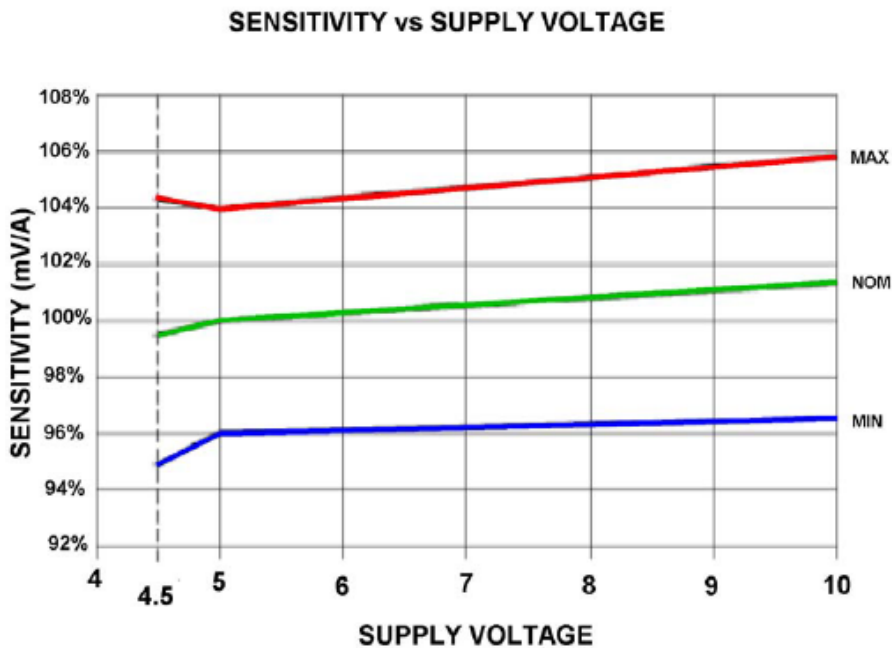
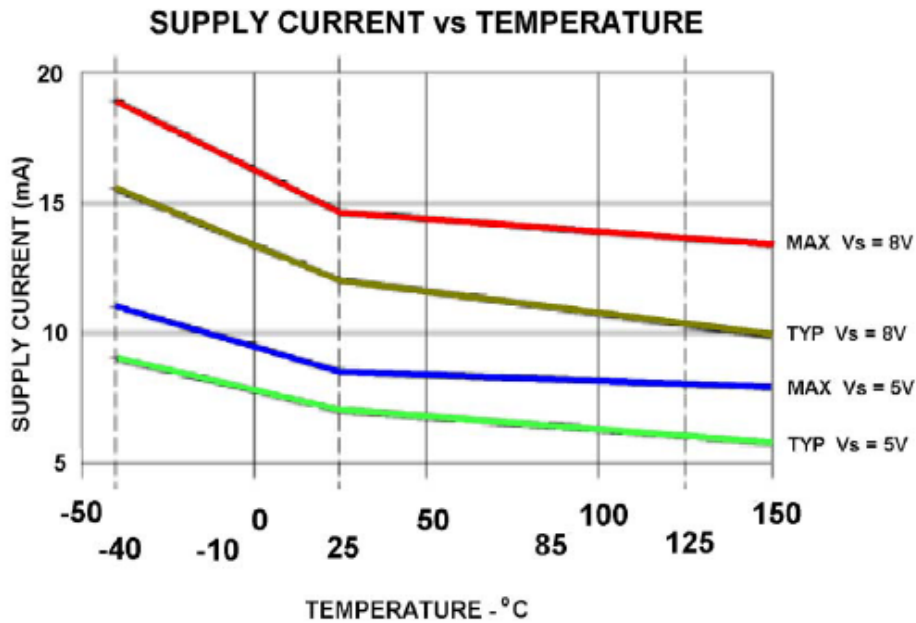
RATIO OF  $V_{null}$  to  $V_s$



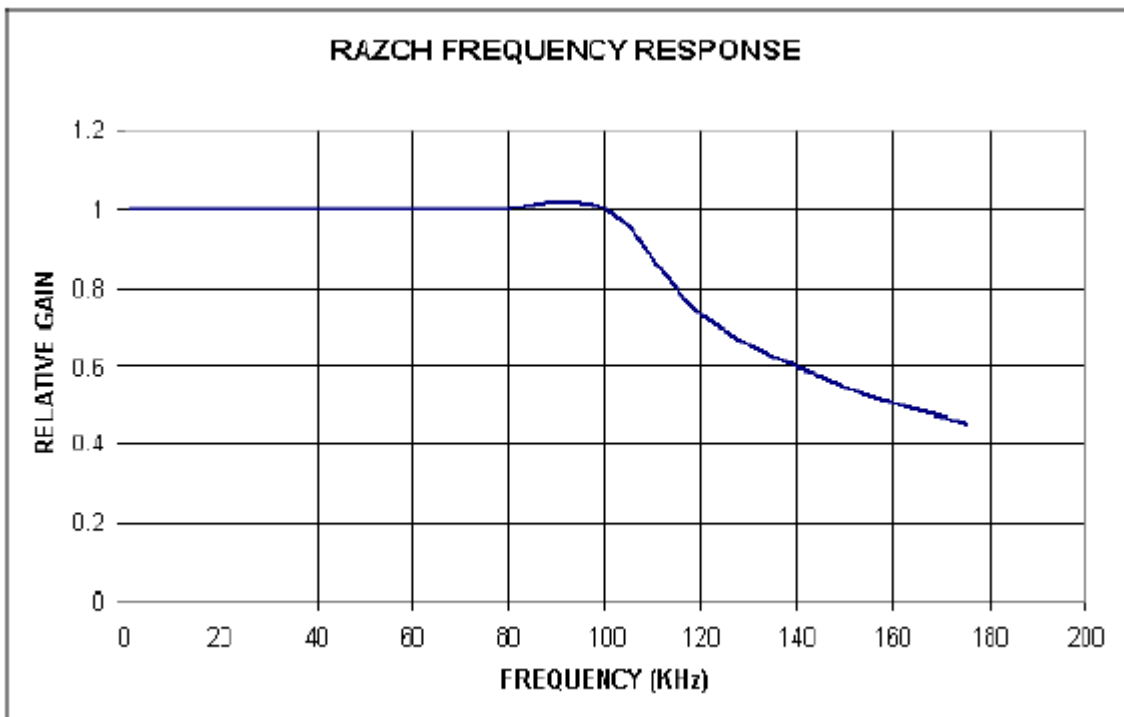
SENSITIVITY SHIFT vs TEMPERATURE



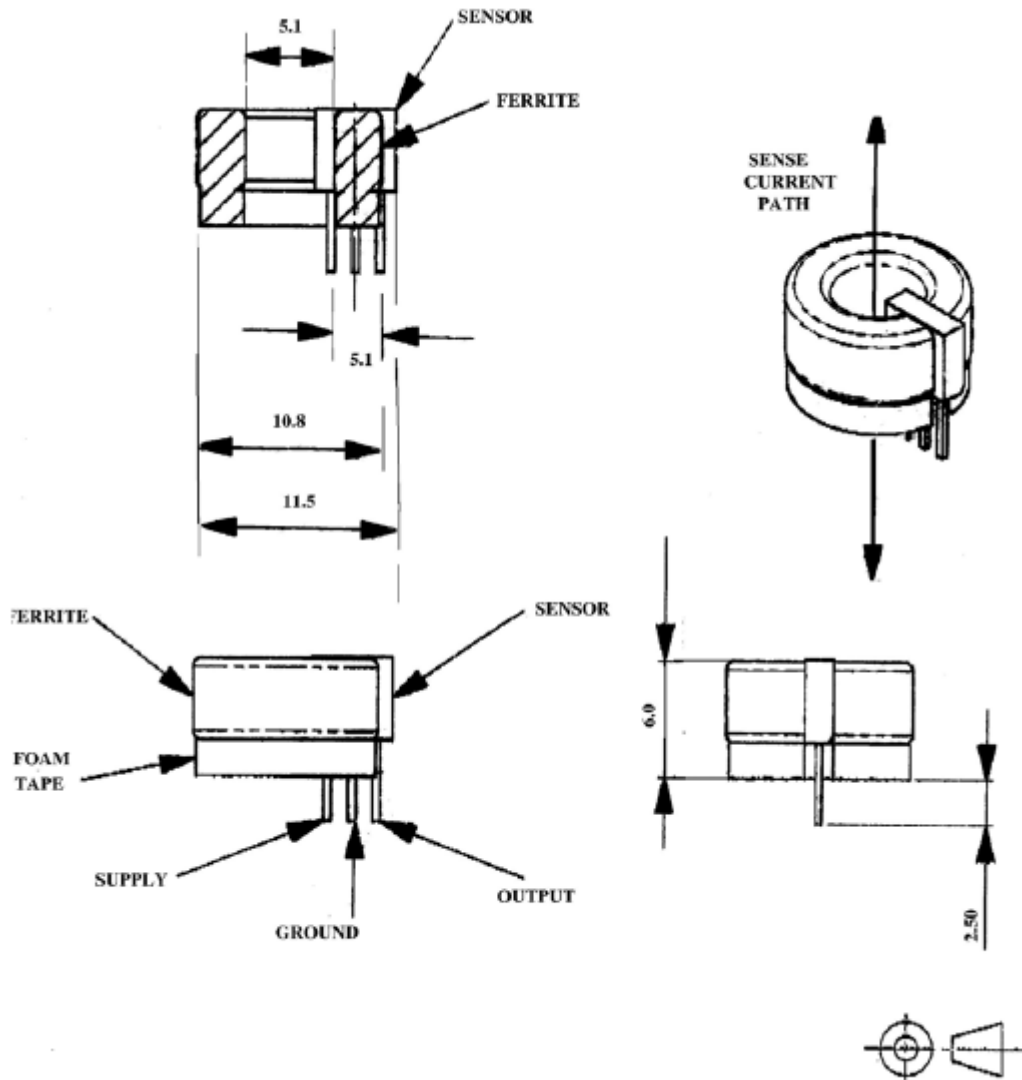
## Characteristics



## Characteristics



Physical Properties



Raztec New Zealand Ltd operates a continuous product improvement program, therefore information contained in our datasheets may not reflect all current features. For clarification please contact sales@raztec.co.nz



**Raztec Sensors**  
NEW ZEALAND LTD

Custom Current Sensing Solutions

## About Raztec

Raztec Sensors was formed in 1992 and since then have been designing, manufacturing and supplying Hall Effect current transducers to some of the world's most critical and demanding users.

Over the past twenty-plus years many millions of our current transducers have been designed into failure intolerant applications where Raztec's refusal to accept anything other than the very highest standard of manufacturing excellence (ISO9001:2015 approved) has resulted in a reputation that is the envy of companies significantly larger and perhaps better known.

### Who are our customers?

Raztec Sensors are recognized by many of our customers for our ability to provide top-quality performance at a very effective market price. Working with clients such as Dunkermotoren/AMETEK, Siemens, Wrightspeed, Komatsu, Panasonic Electric Works, Marincos, Techna-Tool, Metropolitan Pumps, Dynamic Controls, has provided us the opportunity to engineer solutions that are specific to our clients' application. This has resulted in a current transducer that provides exactly the output required for perfect control of the customer's specific application - at the most competitive price possible.

### Need a custom solution?

Raztec are specialists in designing customised Hall Effect current sensors to suit almost any type of application. A large proportion of the products we sell are customised towards our customer's needs. If you have a particular need that an off-the-shelf sensor just can't meet, then contact us about designing a current sensor to meet your requirements.

